

BREATHERS:

Rebuildable Steel

For high-flow applications.



APPLICATIONS:

- Bulk storage
- Chemical/harsh environments
- Hydraulic reservoir
- Diesel tank storage

The Overview

Rebuildable Steel: The Highlights

- Carbon or stainless steel housing
- Easy-to-replace desiccant bags remove moisture from incoming air
- Replaceable filter removes particles to 1 micron absolute ($\beta_1 \geq 1000$)
- Eliminates rust-forming condensation
- Prevents sludge deposits and water-contaminated fluid
- Reduces wear and tear on equipment, prolonging life

How It Works

This breather unit replaces the standard dust cap or OEM breather cap on equipment. As air is drawn into equipment through the breather, the pleated filter element removes solid particulates while the desiccant extracts moisture.

While in service or during shutdown, the desiccant beads attract moisture from inside the equipment reservoir, actively drying the equipment.

Customisation of Materials

Steel Housings:

Carbon Steel*
304 Stainless Steel
316 Stainless Steel

Gasket/Seal Material:

Buna-N*
Viton*
EPDM
SBR Rubber

Media:

Silica Gel*
Activated Carbon
Molecular Sieve
Activated Alumina

Filter Material:

Microglass*
Polyurethane Filter
Plastisol Filter

**Standard Component*

Product Specs.

Product Specs.	DCE-RS-3	DCE-RS-5	DCE-RS-9	DCE-RS-15	DCE-RS-25	DCE-RS-50	DCE-RS-75	DCE-RS-100	DCE-RS-150	DCE-RS-200
Height (cm)	29.2	34.9	45.4	48.9	57.1	79.4	101	78.7	93.3	106.6
Width (cm)	25.7	25.7	25.7	39.4	39.4	39.4	39.4	59.7	59.7	59.7
Approx. Dry Weight (kg)	7.26	9.07	12.25	22.23	29.03	45.36	65.32	86.18	114.76	142.88
Amnt. of Desiccant (kg)	1.36	2.27	4.08	6.80	11.34	22.68	34.02	45.36	68.04	90.72
Max. Adsorption Capacity (L)	0.54	0.9	1.62	2.7	4.5	9	13.5	18	27	36
Max Flow Rate (L/min)	2407 @ 70 mbar	2407 @ 70 mbar	2265 @ 70 mbar	5805 @ 70 mbar	3964 @ 70 mbar	3256 @ 70 mbar	2265 @ 70 mbar	7645 @ 70 mbar	7079 @ 70 mbar	6796 @ 70 mbar
Operating Temp.	-20-220°C	-20-220°C	-20-220°C	-20-220°C	-20-220°C	-20-220°C	-20-220°C	-20-220°C	-20-220°C	-20-220°C
Connection Size	2"	2"	2"	3"	3"	3"	3"	4"	4"	4"

Body Material Carbon steel, Polyurethane, Polypropylene, Microglass, Polycarbonate, Nomex, Buna-N (silica gel as hydrophilic agent)

*Desiccant weight may vary up to 0.22 kg for easy handling.

Rebuild Kits

Rebuild Kit Components

Replacement Filter Element

Pleated filter element captures airborne contamination down to 1 micron absolute.



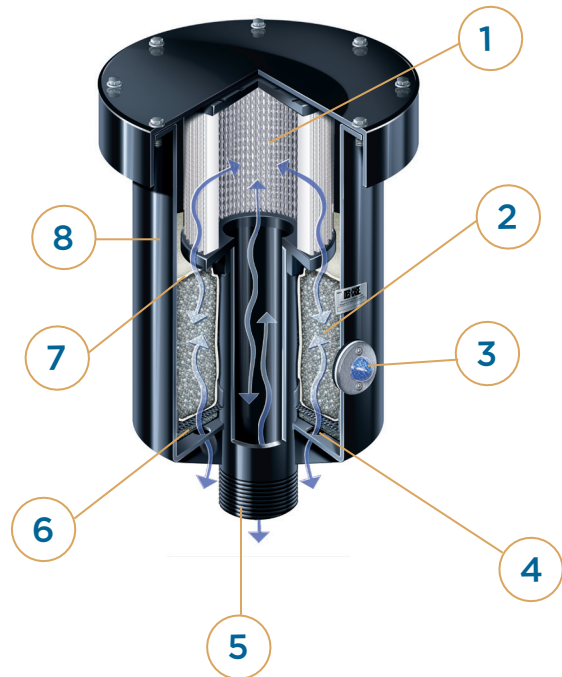
Desiccant Bag Filter

Polypropylene bag has handles for easy removal and replacement.¹



Sight Glass Indicator

Silica gel changes colour from blue to pink when the unit requires rebuilding.



Rebuild Parts & Accessories

Model #	Description
DCE-RS-X-RK	Rebuildable Steel Breather Kits
DCE-RS-X-F1	Rebuildable Steel Breather Microglass Filter Elements
DCE-RS-X-D1	Rebuildable Steel Breather Desiccant Bag Sets
DCE-RS-X-SG1	Rebuildable Steel Breather Sight Glass Cartridges
DCE-RS-X-P1	Rebuildable Steel Breather Foam Pad Inserts
DCE-RS-X-G1	Rebuildable Steel Breather Gasket Seals

NOTE: For part codes containing **X**, substitute the appropriate RS model number.
(Example: the part code for a sight glass cartridge for the DCE-RS-150 would be DCE-RS-150-SG1.)

Des-Case recommends use of a pressure/relief valve on any tank or storage system.

¹Desiccant bags for units above an RS-25 are packaged in 11.33 kg increments for easy handling

By the Numbers

1-Pleated Filter Element

Filter element captures airborne contamination to 1-micron absolute ($\beta_{0.3} \geq 1000$).

2-Desiccant

Silica gel strips moisture from incoming air. Desiccant can be customised to mitigate a variety of chemicals or fumes.

3-Outside Sight Glass Indicator

Silica gel changes colour from blue to light pink when the unit requires component replacement (or rebuilding).

4-Air Vents

Removable stickers keep breather inactive until installation.

5-Integrated Standpipe

Resilient construction provides durability and allows oil mist to coalesce and drain back into the reservoir.

6-Foam Pad

Foam filter captures any large particles and disperses incoming air evenly over filtration and drying areas.

7-Easy-to-Replace Desiccant Bag

Polypropylene bag has handles for easy removal.

8-Rugged Housing

Powder-coated carbon steel or stainless steel housing provides excellent protection against the elements.

Des-Case Europe | Paseo Gazteluzahar 16 | E20305 - Irun (Gipuzkoa), Spain
Direct: +34 943.561.124 | Fax: +34 943.633.054 | descase.eu